

Uniclass L384	EPIC C441
CI/SfB (22.3)	x
February 2012	

Quantum

High performance fire and acoustic partitioning



Quantum

the epitome of performance
and protection...

Quantum high performance partitioning represents a stylish blend of performance credentials with application functions for rapid on-site installation.

Sublimely simple and supremely versatile, the system also affords exceptional stability.

This is a product that takes performance to its highest level. Quantum achieves exceptional fire ratings of FR30/30, FR60/30 & FR60/60 and acoustics of up to 51Rw(dB).

Apton

Quantum

High performance partitioning



Full height glazed windows with venetian blinds integrated with veneered doors and timber door frames

Quantum is a 100mm system and is unique in its ability to enable glazed modules in widths of up to 2 metres wide for installation in areas up to 6.5 metres high.

Quantum can provide up to one hour fire resistance and up to 51Rw(dB) acoustic performance in both solid and glazed modules. Quantum is the perfect choice for office and light industrial areas where stringent fire and acoustic regulations apply.



Quantum half height windows with venetian blinds

Quantum

High performance partitioning



Quantum is attractive with its half height windows fitted with integral venetian blinds to maximize visual privacy

Quantum is not only a performance system; it creates an appealing and inviting ambience wherever it is assembled. Quantum delivers a system with clean lines and stylish modern finishes.



Quantum double glazed windows with venetian blinds



Quantum windows are fantastic at optimising acoustic privacy

Quantum is built to protect and comes with a host of design options for use in both office and industrial areas.

Quantum is the performance choice for high specification screens, when heights, level of duty and fire resistance specifications render all other systems unviable. Quantum is truly the epitome of protection and performance.



Quantum has impressive design options of veneered double doors and single glazed windows

Quantum

High performance partitioning



Quantum was assembled for protection in this 6 metre high light industrial area

Quantum

Technical Data

Quantum is a 100mm all steel high performance partition system. It is designed to allow for use of large glazed panels up to 2 metres in width whilst complying with all required British Standards.

STRUCTURE

Partitions:

Standard heights: Up to 6.5 metres.

Tracks: Polyester powder coated steel head and base tracks. Head 115mm x 50mm; Base 115mm x 30mm.

Corners: Nominal 150 x 150mm solid composite.

Dimensions: Overall thickness is 100mm across panel faces. Maximum panel width is 2 metres (dependent on fire rated specification).

Glass: Toughened glass from 6mm to 10mm and fire rated glass from 16.8mm to 25mm.

Joints: Top hat trims.

Blinds: Manually operated 25mm tilt & turn venetian blinds recessed or between double-glazing.

DOOR SETS

Options: Glass, timber and double glazed GDS doors complement the Quantum system.

Solid doors: Timber doors are either 44mm or 54mm solid core in a choice of veneers.

Door frames: Timber and are either full height or universal standard height. Single or double doorsets are available.

A range of ironmongery can be supplied with Quantum doors.

FINISHES

All exposed steel sections are pre-finished with a polyester powder coating in a range of RAL colours.

SIZE LIMITS

Quantum is designed for installation in areas up to 6.5 metres high.

ASSEMBLY CHARACTERISTICS

Quantum is a heavy duty all steel system comprising of an inner framework of steel studs and channels, finished with polyester powder coated steel cladding profiles and top hat trims between modules. Solid panels come in a choice of veneered MFC or vinyl plasterboard. The solid panels can be full height or in combination with single and double glazed full height, half height or panel format windows to provide the aesthetic of choice.

PERFORMANCE

Fire resistance: FR30/30, FR60/30 and FR60/60 to BS476 part 22.

Sound reduction: BS EN ISO 140; Rated weighting to BS EN ISO 717.

Acoustics: Single glazed 39Rw(dB), double glazed 45Rw(dB) and solid 51Rw(dB).

Structural: BS5234, BS6180 and BS6399. Commercial office or industrial (BS heavy and severe duty).



Quantum is designed and manufactured by Apton Partitioning Limited in the UK.

Quantum

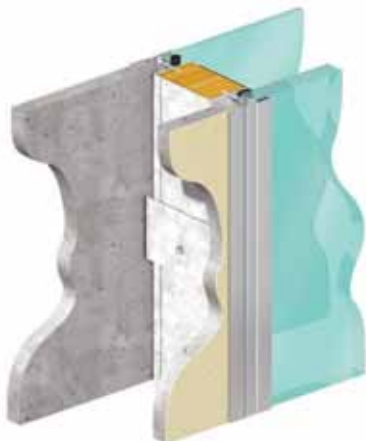
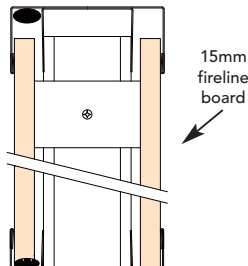
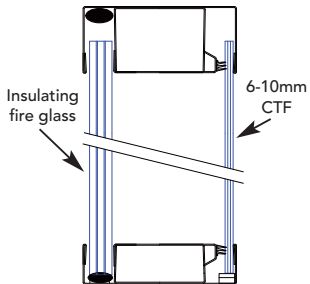
Sectional Drawings



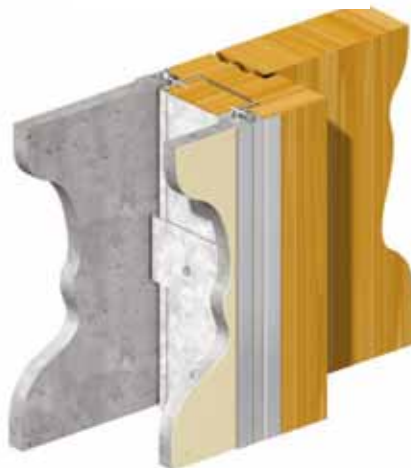
Double glazed vertical section



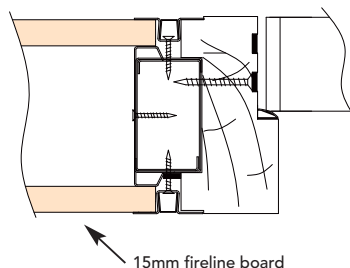
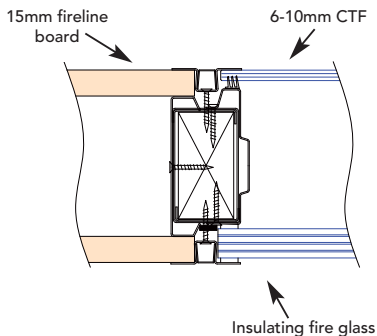
Solid vertical section



Double glazed to solid mullion



Timber door frame to solid wall



Apton Partitioning Limited

Unit 3 Cannon Business Park Gough Road Coseley West Midlands WV14 8XR

tel: +44 (0)1902 385 250 fax: +44 (0)1902 385 255

email: enquiries@apton-partitioning.com

Quantum

High performance fire and acoustic partitioning

www.apton-partitioning.com

Apton